

4

3

2

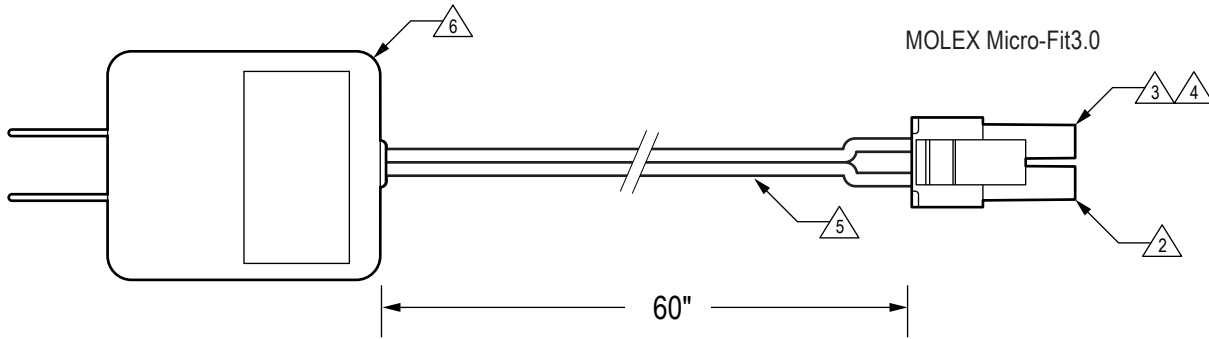
1

NOTES

- 1 USE MOLEX CRIMPING TOOL (P/N: 63811-2800)
- 2 OIN 1 POSITION1
- 3 CONNECTOR HOUSING (MOLEX P/N: 43645-0200) [QTY: 1]
- 4 TERMINAL PIN (MOLEX P/N: 43030-00xx) [QTY: 2] <SEE TABLE>
- 5 WHITE POLARITY STRIPE (POSITIVE)
- 6 POWER SUPPLY, (INPUT: 90-240V 50/60Hz; OUTPUT: 5VDC, 2AMP) [QTY: 1]

REVISIONS

ZONE	REV	DESCRIPTION	APPROVALS	DATE
	A	Initial Release	-	03/17/03
	B	Change Pins to 20-24AWG	-	06/06/03



AC Power Adapter

TYPE: AC- DC Converter
 INPUT: 90-240VAC 50/60Hz
 OUTPUT: 5VDC / 2AMP (10W)


TERMINAL PINS (20-24AWG)

Sn Plating	43030-0007
15u Au	43030-0008
30u Au	43030-0009
Crimping Tool P/N: 63811-2800	

NOTICE

THIS DOCUMENT MAY CONTAIN INFORMATION PROPRIETARY TO O-NAVI. NEITHER RECEIPT NOR POSSESSION THEREOF CONFERS ANY RIGHTS TO REPRODUCE, OR USE, OR DISCLOSE, IN WHOLE OR IN PART, ANY SUCH INFORMATION WITHOUT THE WRITTEN AUTHORIZATION FORM O-NAVI.

PDF DATABASE

CAD GENERATED DOCUMENT DO NOT MANUALLY UPDATE				P.O. BOX 27213, SAN DIEGO, CA 92198 TEL (858) 722-6688	
APPROVALS	DATE	TITLE			
DRAWN	- 03/17/03	ASSY, Cable, AC Power Adapter (5V)			
CHECKED	-	SIZE	DOCUMENT NUMBER	REV	
ENGINEER	- 03/17/03	A	ASSY310-0502B	B	
DO NOT SCALE DRAWING		SCALE	FILE	SHT 1 OF 1	
		1:1	ASSY30100502_B		

TITLE	ASSY, AC Power Adapter (5V)
DOCUMENT NUMBER	ASSY301-0502B
SIZE	A
REV	1
SHT	1
OF	1

4

3

2

1